

 **Lightning Protection** | **Surge protection unit for ITV**

# CSA series



**Surge protection unit adapted to the coaxial cable for ITV. surveillance camera.**

To protect the ITV. surveillance camera and data transmission equipments from the lightning surge voltage and current entered through the coaxial cables.

## CSA-NT

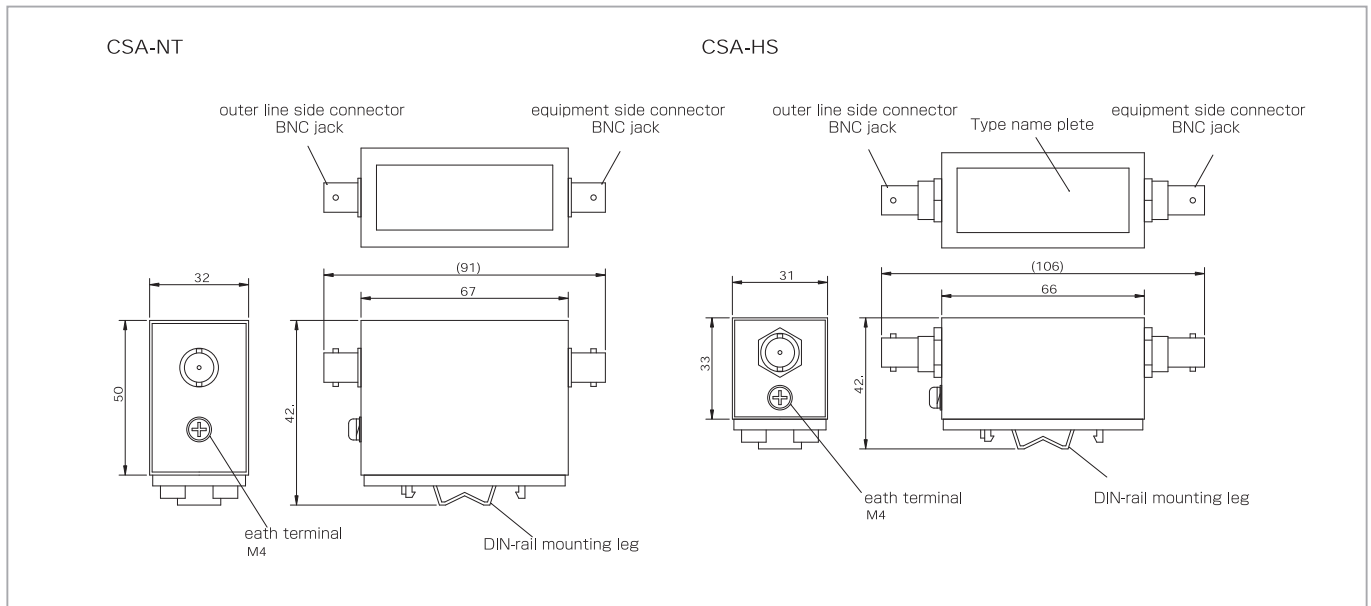
- By using a combination consisting of a 3-poles arrester and a neutralization coil the protective performance is improved and additionally transmission noise can be also suppressed.
- Adapted not only to the usual inductive lightning surge voltage wave form  $8/20\mu\text{s}$ , but also to the direct lightning strike wave form  $10/350\mu\text{s}$ .
- Most suitable to protect ITV coaxial line with low voltage withstanding

## CSA-HS

- By using a combination consisting of a 3 poles arrester and a semiconductor element protective performance is improved.
- Adapted not only to the usual inductive lightning surge voltage wave form  $8/20\mu\text{s}$ , but also to the direct lightning strike wave form  $10/350\mu\text{s}$ .

**Outer form**

(mm)

**Specifications**

Type	CSA-NT	CSA-HS
Circuit		
Application	For ITV. Surveillance camera adapted to DC-power supply overlapping	For ITV. Surveillance camera
Sort of connector	BNC	
Impedance	75Ω	50/75Ω
Max. continuously usable voltage U <sub>c</sub>	DC24V	DC10V
Max. approval current	DC0.25A	DC0.5A
Transmission frequency band	DC~10MHz	
Insertion loss	less than 1.5dB	
DC resistance	less than 4 Ohm	less than 6 Ohm
Noise attenuation	more than 30dB at 1MHZ	-
Voltage protection level Up 1.2/50μs 10kV	less than 250V	less than 600V
Impulse current withstanding I <sub>n</sub> 8/20μs	10kA	
I <sub>max</sub> 10/350μs	2.5kA	
Environmental conditions	Temperature : -20°C~+60°C	Moisture : less than 95%(no condensation)

**SHODEN CORPORATION**

Head Office 3-8 Taihei 4-chome, Sumida-ku, Tokyo 130-8543 Japan

e-mail: [f@sdn.co.jp](mailto:f@sdn.co.jp)